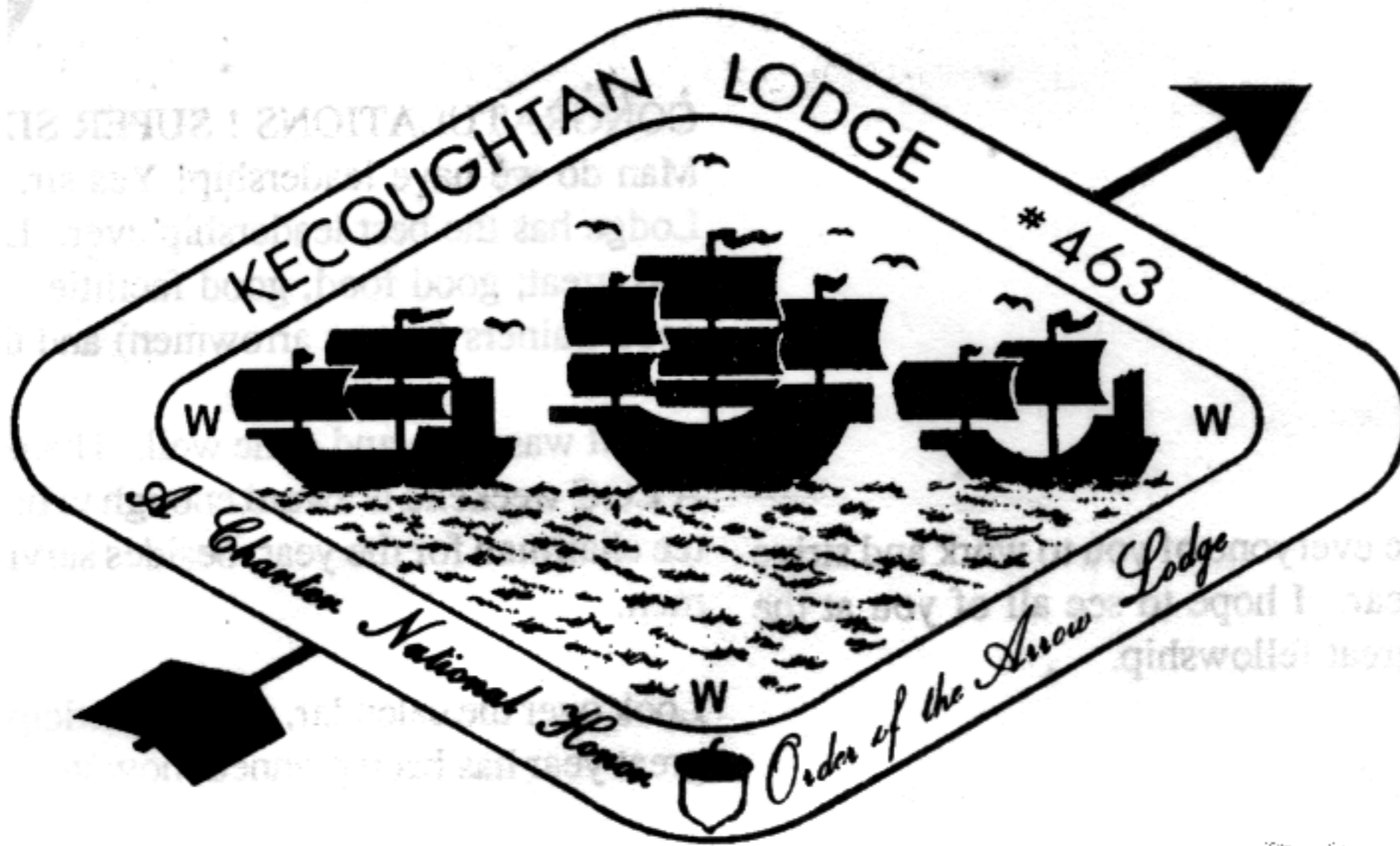


KECOUGHTAN LODGE #463



VOL. 1 NO. 1

CHRISTMAS BANQUET DEC. 17

1987 VIGILS TO BE NAMED AT DINNER

The 1987 Christmas Banquet will be held on December 17th at the American Legion Home on American Legion, in the Denhigh Section of Newport News.

Highlight of the evening will be the presentation of the 1987 Vigil Honor Awards.

Honor Award Patches for 1987 will also be presented.

The dinner will begin at 6:30 p.m. and will include all you can eat fried chicken with choice of vegetables and drink.

Cost for the dinner will be \$ 8.00 per arrowman, which includes one patch. Guest attending will be charged \$ 6.00 for the dinner and they will not receive a patch. Extra patches will be \$ 2.00 each, if any are available after distribution.

Deadline for reservations is December 11.

All members of the Order of the Arrow and their families are urged to attend this event.



Seasons Greetings

MIKE WASHBURN REELECTED CHIEF

Mike Washburn, was reelected chief as he led the "Super Six" ticket at the 1987 lodge officers elections held during the Summer Ordeal in September.

Other officers elected on the super six ticket were; David Bains, First Vice Chief; Chuck Bellinger, Second Vice Chief; Bonner Burton, Membership Secretary; John Walsh, Treasurer and Chris McIntyre, Recording Secretary.

ASSOCIATE LODGE ADVISERS NAMED

In a joint announcement, George Handley, chief of the fire and H. C. Ewing, the lodge advisor have named three new associate lodge advisers.

Appointed to serve in this capacity and assist the lodge advisor are, Patrick Wyatt, Carl Horne and Carlon Lewis.

From the Chiefs Tee Pee



ADVISERS MINUTE

with
H.C. EWING



CONGRATULATIONS ! SUPER SIX !

Man do we have leadership! Yes sir, I believe Kecoughtan Lodge has the best leadership ever. Lodge officers training was great; good food, good facilities, hard work (thinking), good trainers (young arrowmen) and the best planning ever.

Brothers,

As your chief, I challenge everyone of you to work and strive for a better lodge this year. I hope to see all of you at the Christmas Banquet for great fellowship.

Yours in Service,
Mike Washburn

Yes, it was done and done well. Thanks to all who attended. A LOC weekend is award enough to be an officer or committee chairman for the year, besides serving your fellow arrowmen.

Look over the calendar, plan to participate in lodge events. A great year has been planned, now we must all work the plan.

Look over the GOALS for next year, our executive board has accepted a real challenge, its now up to all arrowmen to make things happen. We can do it, by PARTICIPATION.

KECOUGHTAN LODGE 1987-1988 CALENDAR

Year	Month	Day	Event
1987	December	6	O/A Executive Meeting, 7:00 pm, Scout Service Center.
		12	O/A Vigil Weekend, Camp Chickahominy.
		17	Christmas Banquet, 6:30 pm, American Legion Hall, Denbigh.
1988	January	10	O/A Executive Meeting, 7:00 pm, Scout Service Center.
		February	6
March	March	19-21	Winter Ordeal, Camp Chickahominy.
		27	Council of Chiefs Meeting, Richmond.
April	April	6	O/A Executive Meeting, 7:00 pm, Scout Service Center.
		10	O/A Executive Meeting, 7:00 pm, Scout Service Center.
May	May	22-24	Conclave, Camp Pipsco.
		1	O/A Executive Meeting, 7:00 pm, Scout Service Center.
June	June	12	O/A Executive Meeting, 7:00 pm, Scout Service Center.
		24-26	Spring Ordeal, Camp Chickahominy.
July	July	9	Beaver Day, Camp Chickahominy.
		August	7

September	15-19	National OA Conference, Fort Collins Colorado.
	11	O/A Executive Meeting, 7:00 pm, Scout Service Center.
October	16-18	Summer Ordeal, Camp Chickahominy.
	1	Council of Chiefs Meeting, Charlottesville.
November	15-16	Lodge Officers Training Conference.
	13	O/A Executive Meeting, 7:00 pm, Scout Service Center.
December	11	O/A Executive Meeting, 7:00 pm, Scout Service Center.
	15	Christmas Banquet.

KECOUGHTAN KRYER

Official publication of Kecoughtan Lodge 463, Order of the Arrow. 11725 Jefferson Ave. Newport News, Virginia.

JAMES WILEY, EDITOR

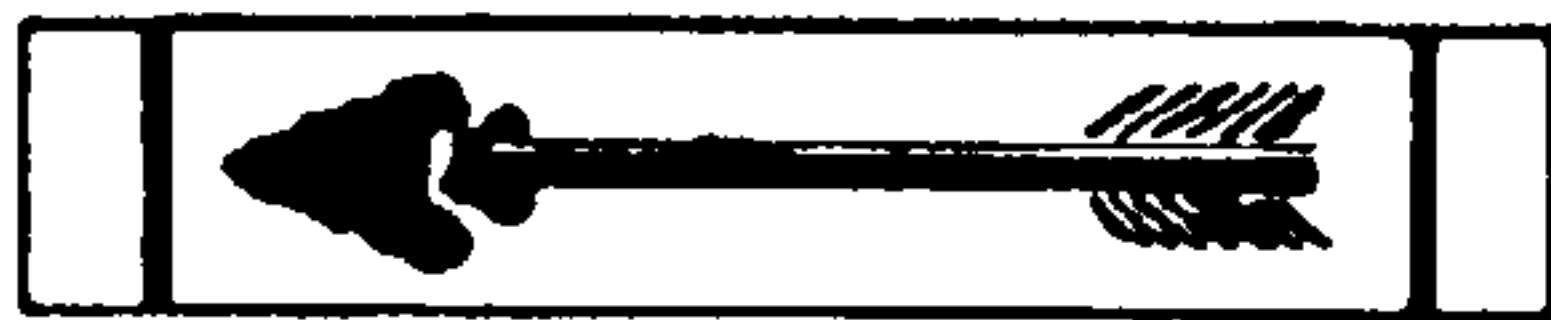
Mike Washburn, Lodge Chief
H. C. Ewing, Lodge Adviser
Bill Wiley, Newsletter Adviser

LODGE OFFICERS SET 1987-88 GOALS

The lodge officers and committee chairmen met during the Lodge Officers Training Conference and set the following goals for 1987-88. It will be up to each arrowman to help accomplish them.

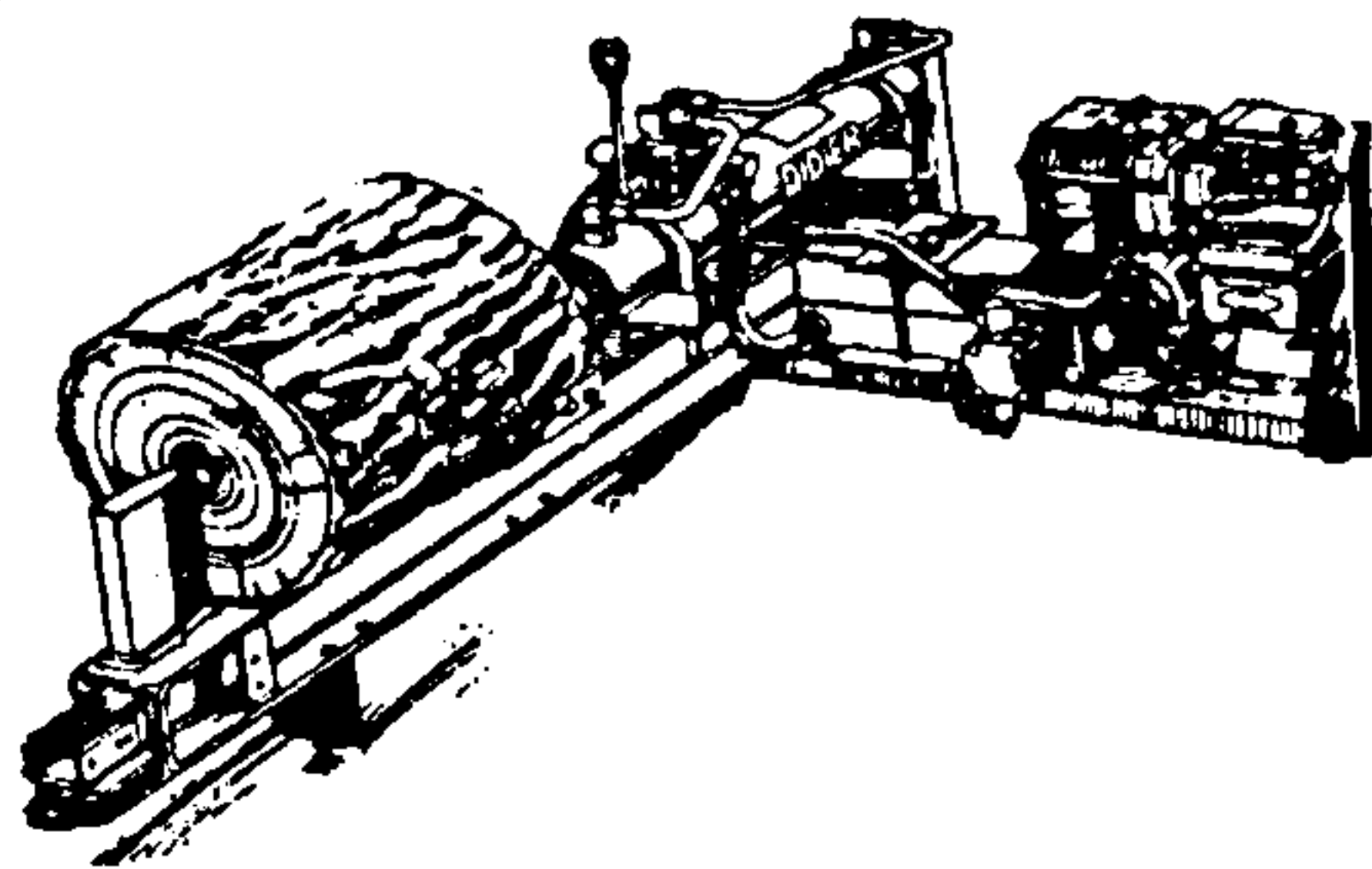
- National Honor Lodge
- Larger Membership
- Increase Participation
- Have New Members Return
- Brotherhood Conversions 45%
- More Public Service
- Improve Candidate Inductions
- Larger Participation at LOTC
- Improve Camp
- Increase Attendance At Chapter Meetings
- Better Communications
- New Lodge Chief And Advisers
- Newsletter Improvements
- Better Mailings
- More Advanced Planning
- Improve Quality Of Cermonies
- Money Raisers
- Update Lodge History
- Development Of Patch Committee

MEMBERS RECEIVE BROTHERHOOD



Ordeal members of the Kecoughtan Lodge that sealed their membership in our order through the Brotherhood ceremony were as follows:

R. Geoff Avery	Pamunkey	Troop 31
Jason M. Bell	Pamunkey	Troop 2
William M. Benz	Kiskiack	Troop 14
Richard G. Booth	Pamunkey	Troop 13
Charles D. Brewer	Pamunkey	Troop 2
Evan M. Combs	Mattaponi	Troop 201
Justin R. Cropper	Mattaponi	Troop 123
James A. Dempsey	Pamunkey	
Thomas W. Evans	Wendamen	Troop 114
Jeff L. Gambrell	Mattaponi	Troop 144
Randall M. Hill	Pamunkey	Troop 218
Paul S. Jennings	Pamunkey	Troop 13
Eugene W. Latsch	Kiskiack	Troop 98
Thomas C. Link	Pamunkey	Troop 154
John E. Luck	Mattaponi	Troop 201
Thomas J. McCarthy	Kiskiack	Troop 316
William C. Monroe	Pamunkey	
Harry W. Myers	Kiskiack	Troop 316
Brian W. Myers	Kiskiack	Troop 316
James C. Osborn	Mattaponi	Troop 201
John W. Thomas III	Wendamen	Troop 114
John M. Walsh	Kiskiack	Troop 11
James R. Wiley	Pamunkey	Troop 13



MEMBERS NEEDED FOR WOOD PROJECT

In order to help the lodge financially we will be working at Camp Chickahominy on the weekend of November 27-29, cutting wood.

This project will not only help the lodge with needed funds, we are selling the wood we cut with the proceeds going into the lodge treasury, but it will also help the camp by removing trees that pose a hazard.

All arrowmen are invited and urged to come out to camp and help with this project. Food will be available at no charge for Saturday lunch and dinner and Sunday breakfast and lunch.

If you can help call Mike Washburn by November 25th or Ranger Hank Turcotte. If you call Hank, call between noon and 1 pm or between 7 and 8 am.

If you have a chain saw it would be helpful if you would bring it along.

DANCERS NEEDED



The dance team is doing great except for one thing which is we need more youth members. The team meets at Fort Eustis Scout Hut every Sunday afternoon from 3:00 to 4:30 pm. If you are interested in dancing, drumming, or singing the Native American call Joey Meitz at 874-0572.

LODGE INDUCTS 42 INTO MEMBERSHIP



Fourty two Scouts and Scouters received their Ordeal at Camp Chickahominy in September.

We are happy and proud to call the following arrowmen:

Chris T. Anthony	Pamunkey	Troop 29
James J. Barrett	Kiskiack	Troop 316
Sean C. Barrett	Kiskiack	Troop 316
Micheal R. Behan	Pamunkey	Troop 29
William H. Benden	Mattaponi	Troop 201
Guy O. Bennett	Mattaponi	Troop 201
Robert M. Booth	Pamunkey	Troop 13
Thomas A. Brashears	Pamunkey	Troop 31
David R. Braswell	Mattaponi	Troop 201
Sean K. Bunyon	Pamunkey	Troop 151
Allen E. Combs	Mattaponi	Troop 201
John P. Crawford	Mattaponi	Troop 201
Warren G. French	Mattaponi	Troop 201
Joseph P. Gedville	Pamunkey	Troop 31
Jeffrey D. Gowers	Kiskiack	Troop 14
William G. Gustafson	Pamunkey	Troop 21
Josh P. Gwinn	Pamunkey	Troop 21
Ryan E. Haden	Mattaponi	Troop 201
Brandon M. Lemire	Kiskiack	Troop 316
Steven T. Link	Pamunkey	Troop 154
Neal A. Lombardi	Mattaponi	Troop 201
Jefferson M. Lyons	Kiskiack	Troop 316
John F. McAuliffe Jr.	Pamunkey	Troop 31
Micheal B. Merz	Pamunkey	Troop 29
Eric S. Murphy	Kiskiack	Troop 43
Jason M. Myers	Kiskiack	Troop 316
Robert K. Perry Jr.	Pamunkey	Troop 29
David R. Phillips Jr.	Pamunkey	Troop 13
Daniel A. Raymond	Mattaponi	Troop 144
Paul A. Reirdan	Kiskiack	Troop 14
John N. Reisbick	Pamunkey	Troop 84
Ronald K. Rogers	Mattaponi	Troop 123
William E. Rorer Jr.	Mattaponi	Troop 144
Harry C. Shawen Jr.	Kiskiack	Troop 158
Shannon E. Smith	Pamunkey	Troop 29
Robert C. Stanfield	Pamunkey	Troop 31
Charles J. Thompson Jr.	Mattaponi	
Bryan J. Tyler	Pamunkey	Troop 84
Kenneth E. White	Mattaponi	Troop 144
Tim Wiczorek	Kiskiack	Troop 368
David P. Wiczorek	Kiskiack	Troop 368
Mark G. Wunder	Kiskiack	Troop 14

**ANYONE KNOWING THE
WHEREABOUTS OF THE
CAMPING PROMOTION 35
MM SLIDES PLEASE
CONTACT**

AL BURTON (874-4797)



Smoke Signals from the Chapters

MATTAPONI

So far Mattaponi Chapter has been running fine the newly elected chapter officers are Jeff Godby, chief ; James Osborn, vice-chief ; Evan Combs secretary treasurer and Forrest Miller has been appointed the new chapter advisor. There has been talk about a new chapter breaking off from the Mattaponi chapter to serve the James city county area . A motion was passed at the executive board meeting so that the bylaws could be changed so that the Colonial District would have two chapters hopefully by the Christmas Banquet.



PAMUNKEY

Our chapter will have it's first meeting in the Troop 31 Casemate on Fort Monroe on December 6 at 4:00 pm . We will be discussing the lodge and chapter goals for 1988, filling committee positions , looking at the 1988 lodge calander , setting future chapter activities and making a chapter communications system . This will be your chance to make the Pamunkey chapter what it should be .

If your unit has not had its 1987 elections please contact John McAuliffe at 723-2042.

If you have any questions call Geoff Avery at 850-4089.

KISKIACK

As you know at the last ordeal in September we elected a new chapter chief and a new vice- chief they are Eugene Latsch chapter chief and Bryan Hunt vice-chief. Our chapter meetings will be held every other month on the first Tuesday at 7:30 pm at Temple Baptist Church beginning January 5 . The next chapter executive meeting will be December 1 at the Waffle town on Warwick Blvd. at 7:00 pm.

We are developing a telephone committee to call chapter members prior to chapter events. also we need boy's to work on camping promotions and unit elections. If you are interested in being on a committee please call Eugene Latsch at 874-0224 .

If you are interested in becoming a adviser to a committee call Mick Cambell at 887-2214. these are vital committees for the chapters success.

We still have many chapter back patches left . They are \$7.50 and are signed by the old chapter chief.

WENDAMEN

WENDAMEN CHAPTER CHIEF

Joe Wynn
Rt 2 Box 1003
Hayes, Va. 23072
642-4151

CHAPTER ADVISER

Joe Lineberry
Rt 5 Box 910
Gloucester, Va. 23061
693-5392



ASSOCIATE ADVISER

Melvin Fry
PO Box 361
Mathews, Va. 23109
725-5029

KECOUGHTAN LODGE 463 ORDER OF THE ARROW

SECTION CHIEF

David Shapiro
7627 Vicksburg Court
Norfolk, Va. 23518
583-1652

SECTION ADVISER

D. W. "Si" Simons
3840 Little Creek Road
Virginia Beach, Va. 23452

LODGE OFFICERS

LODGE CHIEF

Mike Washburn
300 Hornsbyville Road
Yorktown, Virginia 23692
898-7360

LODGE ADVISER

H. C. Ewing
423 Normandy Lane
Newport News, Va. 23606
599-3906

FIRST VICE CHIEF

David Bains
143 Chancellor Road
Hampton, Va. 23661
245-6187

ASSOCIATE LODGE ADVISER

Carl Horne
514 Whealton Road
Hampton, Va. 23666
826-8463

SECOND VICE CHIEF

Chuck Bellinger
102 Fischer Drive
Newport News, Va. 23602
877-1026

ASSOCIATE LODGE ADVISER

Carlton Lewis
120 Starboard Circle
Newport News, Va. 23602
881-9976

MEMBERSHIP SECRETARY

Bonner Burton
463 Cheshire Court
Newport News, Va. 23602
874-4797

ASSOCIATE LODGE ADVISER

Patrick Wyatt
PO Box 6604
Newport News, Va. 23606
599-6079

TREASURER

John M. Walsh
10 Excalibur Place
Newport News, Va. 23602
595-5857

SCOUT EXECUTIVE

George Handley
106 Laurel Patch Road
Yorktown, Va. 23690
595-3356

RECORDING SECRETARY

Chris McIntyre
3 Sandpiper Court
Hampton, Va. 23669
850-0569

PROFESSIONAL ADVISER

Sam Clymans
3420 Custer Court
Hampton, Va. 23666
838-332

CHAPTER OFFICERS

WENDAMEN CHAPTER CHIEF

Joe Wynn
Rt 2 Box 1003
Hayes, Va. 23072
642-4151

CHAPTER ADVISER

Joe Lineberry
Rt 5 Box 910
Gloucester, Va. 23061
693-5392

ASSOCIATE ADVISER

Melvin Fry
PO Box 361
Mathews, Va. 23109
725-5029

MATTAPONI CHAPTER CHIEF

Jeff Godby
204 Seven Hollys Drive
Yorktown, Va. 23692
898-4445

CHAPTER ADVISER

Forrest Miller
121 Tutters Neck
Williamsburg, Va. 23185
229-7005

KISKIACK CHAPTER CHIEF

Eugene W. Latsch
28 Lewallen Drive
Newport News, Va. 23602
874-0224

CHAPTER ADVISER

Mick Campbell
115 Gray Gables Drive
Williamsburg, Va. 23185
887-2214

ASSOCIATE ADVISER

Alex Wiatt
24 Madison Lane
Newport News, Va. 23606
595-6749

PAMUNKEY CHAPTER CHIEF

Geoff Avery
330 Wilderness Road
Hampton, Va. 23669
850-4089

CHAPTER ADVISER

Bradley Rush
2018 D Sabre Court
Langley Air Force Base, Va 23665
865-1601

ASSOCIATE ADVISER

Jim Gedville
420 Seaboard Ave.
Hampton, Va. 23664
851-4185

LODGE COMMITTEES

CAMPING PROMOTIONS

Charles Almquist
2904 Chesapeake Ave.
Hampton, Va. 23661
722-0323

ADVISER

Al Burton
463 Cheshire Court
Newport News, Va. 23602
874-4797

ASSOCIATE ADVISER

H. P. Lucas
504 Old Wormly Cr. Road
Yorktown, Va. 23692
898-3164

NEWSLETTER

James Wiley
118 Lancaster Terrace
Hampton, Va. 23666
838-7379

ADVISER

Bill Wiley
118 Lancaster Terrace
Hampton, Va. 23666
838-7379

ELANGOMAT TRAINING

Jonathan Gambrell
105 Nina Circle
Williamsburg, Va. 23185
565-0212

ADVISER

Bob Kirkpatrick
189 Viking Road
Williamsburg, Va. 23185
564-3245

ASSOCIATE ADVISER

George Bains
1302 O Canoe Place
Hampton, Va. 23661
722-0669

ENGRAVING

John Luck
110 Hailsham Place
Grafton, Va. 23692
898-5495

ADVISER

Chet Luck
110 Hailsham Place
Grafton, Va. 23692
898-5495

ASSOCIATE ADVISER

Sam Tollett
3 Delmont Court
Hampton, Va. 23666
826-4141

CEREMONIAL

John Andrews
214 Cedar Road
Poquoson, Va. 23662
868-8029

ADVISER

John Loyd
1662 7th Ave.
Langley AFB, Va 23665
865-8571

ASSOCIATE ADVISER

Bernie Muehlbauer
17 Mill Creek Terrace
Hampton, Va. 23663
723-1650

SERVICE

Mike Larson
114 Wedgewood Drive
Newport News, Va. 23601
595-9115

ADVISER

Landon Woolridge
5 Meadow Drive
Newport News, Va. 23606
596-3086

ASSOCIATE ADVISER

Jim Bias
478-C Wythe Creek Road
Poquoson, Va. 23662
868-8082

TRADING POST

Chris Easley
109 Crocker Place
Williamsburg, Va. 23185
596-1415

ADVISER

Ron Godby
204 Seven Hollys Drive
Yorktown, Va. 23692
898-4445

ASSOCIATE ADVISER

Mike Fry
438-8 Lester Road
Newport News, Va. 23601
595-5217

1988 ANNUAL DUES REGISTRATION - \$ 4.00 *

Kecoughtan Lodge operates from computerized records . This is necessary because we have grown to 648 members . We need to insure that our records are up to date in order to have correct data for mail list s and telephone contacts . Please fill in the information requested below and return it to the Lodge with your dues payment.

Dues are \$4.00 per member for 1988 , payable prior to December 31,1987 . After December 31,1987 a late fee of \$1.00 will be added to the dues payment . For those arrowmen that took their ordeal in September 1987 your dues are paid for the 1988 year .

The Lodge rules were ammended in 1986 to include life membership in the Lodge are as follows :

" Life membership in the Lodge may be obtained for a one time payment of \$35.00 . Life membership arrowmen will recieve a plastic life membership card . Mailings of all Lodge events will stop if a life member has not registered for any Lodge event for a period of three years . Mailing of Lodge event notices will continue beyond the three year limit if requested in the writing to the lodge membership secretary . It is the responsibility of the life member to keep the membership secretary informed of address changings ."

If you have any questions , please call me at 874-4797 or Mr. Ewing at 599-3906

Thanks .

Bonner Burton , Membership Secretary

* A change in by-laws to be voted on at the Christmas Banquet.

(Clip and mail or bring to Scout Service Center - 11725 Jefferson Ave, Newport News 23606)

Name _____

Street _____

City _____ Zip _____

Telephone (Home) _____ (Work) _____

Ordeal Date _____ Brotherhood Date _____ Vigil Date _____

Troop _____

Check one: Dues for 1988 Dues for Life Membership

Check if change of address or telephone during 1987

LODGE COMMITTEES

(Continued from Page 6)

COOKING

Jimmy Higging
109 Crocker Place
Williamsburg, Va. 23185
229-3628

ADVISER

J. J. Maufas
147 E. Windsor Castle Drive
Newport News, Va. 23602
877-6934

ASSOCIATE ADVISER

Jim Friesz
9202 Terril Lane
Hampton, Va. 23666
825-9232

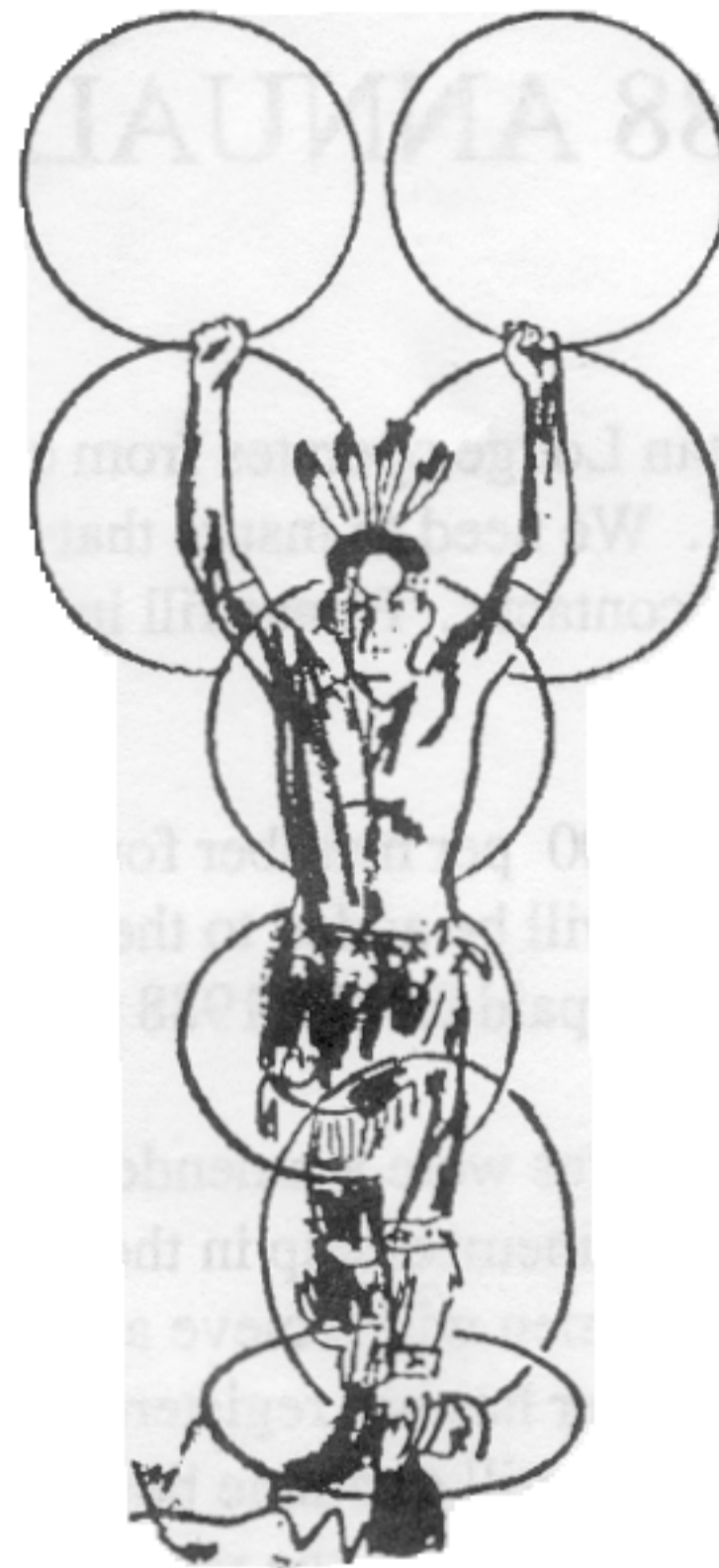
DANCE TEAM

Joey Meitz
459 Denbigh Blvd. # 17
Newport News, Va. 23602
874-0572

ADVISER

Dave Hunt
207 Stony Ridge Court
Newport News, Va. 23602
877-8242

2H



KECOUGHTAN LODGE # 463

ORDER OF THE ARROW
Boy Scouts of America
11725 Jefferson Avenue
Newport News, Va. 23606

Non-Profit Organization
U.S. POSTAGE
PAID
NEWPORT NEWS, VA.
PERMIT NO. 51



Tim . EWING LIFE
229 Milstead Rd.
Newport News, VA. 23606

KECLOUGHTAN LODGE #463

Proposed changes to Lodge Rules to be voted on at Christmas Banquet December 17, 1987. The Lodge Executive Committee has approved the following changes. All changes in pen and ink.

Section V, Fees and Dues

B. Dues for the Lodge membership is based on the calendar year. Membership dues are \$3.00 per year. A late penalty of \$1.00 is added to membership dues if paid after January first.

change to \$4.00

C. Life membership in the Lodge may be obtained for a one time payment of \$30.00. Life membership arrowmen will receive a plastic life membership card. Mailings of all Lodge events will stop if the life member has not registered for any Lodge event for a period of three years. Mailing of Lodge events will continue beyond the three year limit if requested in writing to the Lodge Membership Secretary. It is the responsibility of the life member to keep the Membership Secretary informed of address changes.

change to \$35.00

SECTION VII, Chapter Operations.

A. This Lodge shall be represented ~~in each council district by a~~ by chapters, Chapters shall be responsible for their name and internal affairs.

CHANGE

as determined by lodge executive committee and approved by the supreme chief of the five.

Section X Totem and Insignia

- # C. The official Lodge flap patch (exhibit 2), shall be fully embroidered with a merrowed edge and any changes in the design of the flap patch must go through the process of amendment to these rules.

Lettering - Kecoughtan Lodge 463, W W W.

2. Two (2) confederate flags on the sides.
3. Two (2) small acorns in the upper corners.
4. One (1) large acorn in the center with silver fleur-de-leis on the cap.
5. Lettering and the edge will be silver, acorns will be a two tone brown, all parts of the patch against a black background.
6. One red arrow in front of the large acorn pointing left.

Add → **NOTE!***

7. A Lodge member may purchase one additional patch for each seven (7) hours of work he accomplishes for the Lodge. This work must be done at an official Lodge function. Attending Lodge Executive Committee meetings or other committee meetings does not qualify a person for a patch. Participation in the field work of a committee will warrant credit towards the attainment of a flap patch.

* Note: The red arrow in front of the large acorn will designate the three levels of membership in the Order of the Arrow; Ordeal - Brotherhood - Vigil Honor. All Arrowmen will be able to purchase the Ordeal patch. Only Brotherhood members and Vigil Honor members will be able to purchase the Brotherhood patch. Only Vigil Honor members will be able to purchase the Vigil Honor patch. All purchases of lodge patches must be in accordance with paragraph X C 7.